

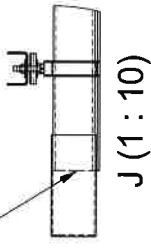
Fastems**Bill of Materials**

Date: 09.11.06 Page: 1 (1)

BOM: FM25083**Version:** -**Name:** ROLLS ROYCE / KASPO ROLLS ROYCE PROPULSION**Item:** FM25083

Ro	Item Id	Item Name	Qty	Unit
1	FM13391 / -	STACKER CRANE DMC-HD, R-R PROPULSION	1,00	pcs.
2	FM16612 / -	AISLE ACCESSORIES R-R PROPULSION	1,00	pcs.
3	FM13393 / -	LSL-HD R-R PROPULSION	1,00	pcs.
4	FM13394 / -	LSL-HD R-R PROPULSION	1,00	pcs.
5	FM13396 / -	Washing Machine R-R PROPULSION	1,00	pcs.
6	FM14669 / B	SAFETY DOOR PDD	2,00	pcs.
7	FM14935 / -	INTERMEDIATE TABLE IT MAKINO MCD1816	1,00	pcs.
8	FM14936 / -	INTERMEDIATE TABLE IT OM 70MS	1,00	pcs.
9	FJ00643	STORAGE RACK R-R PROPULSION	1,00	pcs.

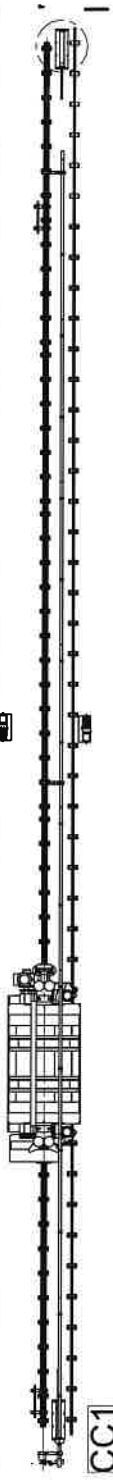
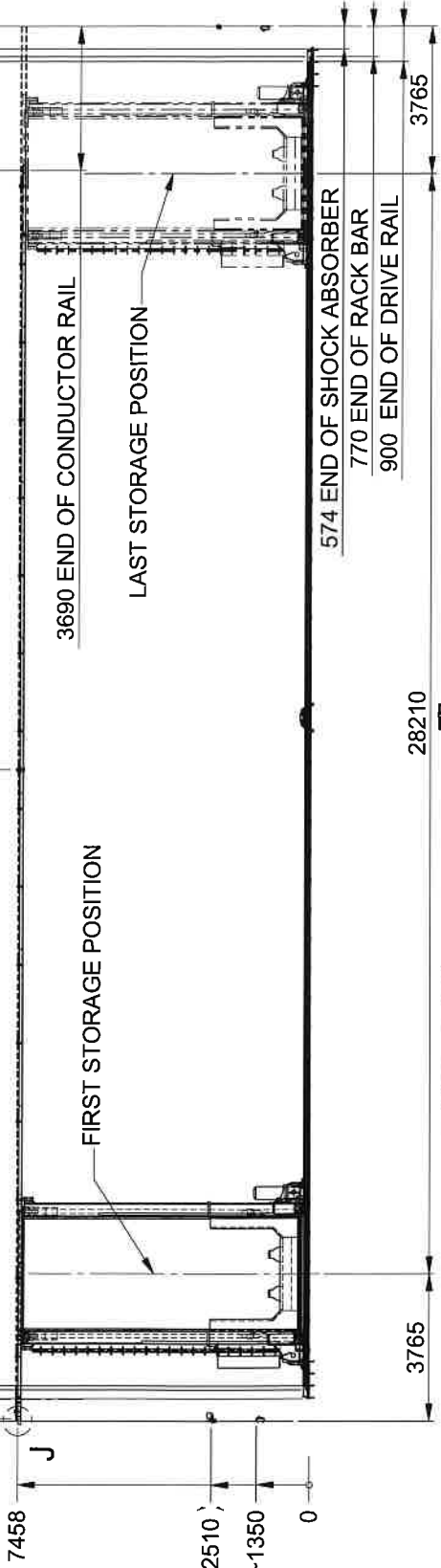
VIRTAIKISKON ALKU JA LOPPU
MITOITETAAN TÄHÄN REUNAAN.
THE VOLTAGE BAR END (OR BEGINNING)
IS DIMENSIONED HERE.



J (1 : 10)

- 0 HYLLYPVLÄIDEN ULKOSIVU
OUTER SIDE OF STORAGE PILLARS
- 50 VIRTAIKISKON ALKUUN
BEGINNING OF CONDUCTOR RAIL
- 550 SYÖTTÖKOTILO
POWER CONNECTION BOX
- 574 PUSKURIN TAKAPÄÄ
END OF BUFFER
- 800 HAMMASTANKO ALKAA
BEGINNING OF THE RACK BAR
- 900 AJOKISKON ALKUUN
BEGINNING OF DRIVE RAIL
- 16650 LUKITUSKIINNITIN
FIXED SUSPENSION

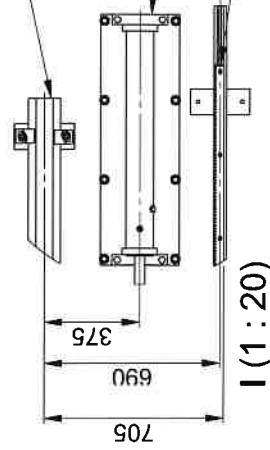
- 32050 VIRTAIKISKO PÄÄTTY
END OF CONDUCTOR RAIL
- 34840 AJOKISKO PÄÄTTY
END OF DRIVE RAIL
- 34966 HAMMASTANKO LOPPU
END OF THE RACK BAR
- 35166 PUSKURIN TAKAPÄÄ
END OF BUFFER
- 35740 HYLLYPVLÄIDEN ULKOSIVU
OUTER SIDE OF STORAGE PILLARS



AJOKISKON ALKU JA LOPPU MITOITETAAN
TÄHÄN REUNAAN.
THE DRIVING RAIL END (OR BEGINNING)
IS DIMENSIONED HERE.

PUSKURI MITOITETAAN TÄHÄN REUNAAN
THE SHOCK ABSORBER IS DIMENSIONED HERE

HAMMASTANGON PÄÄ MITOITETAAN TÄHÄN
THE RACK BAR IS DIMENSIONED HERE

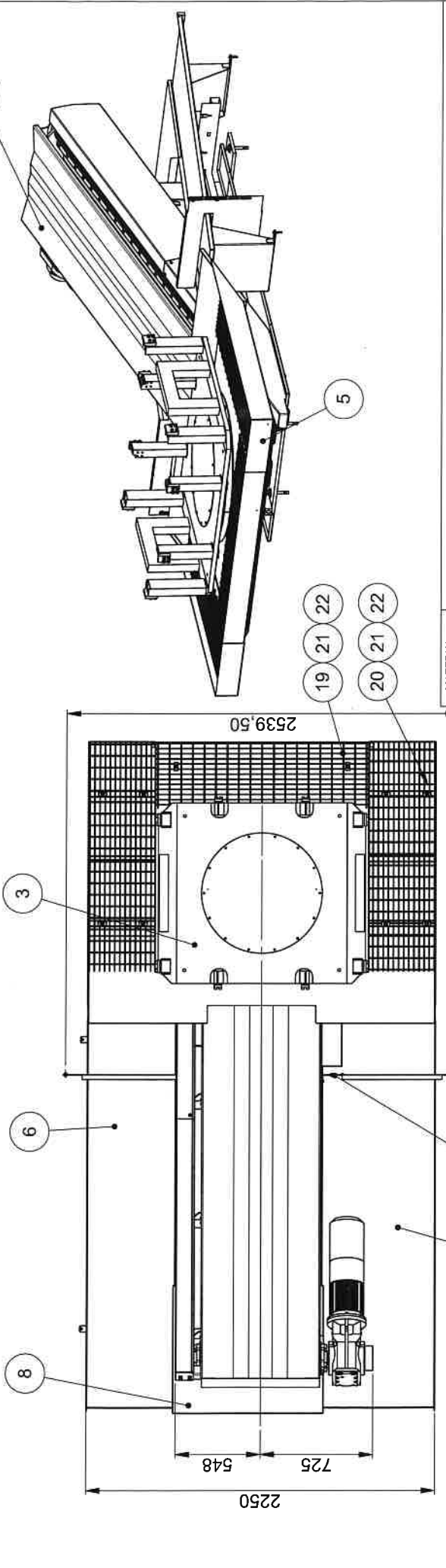
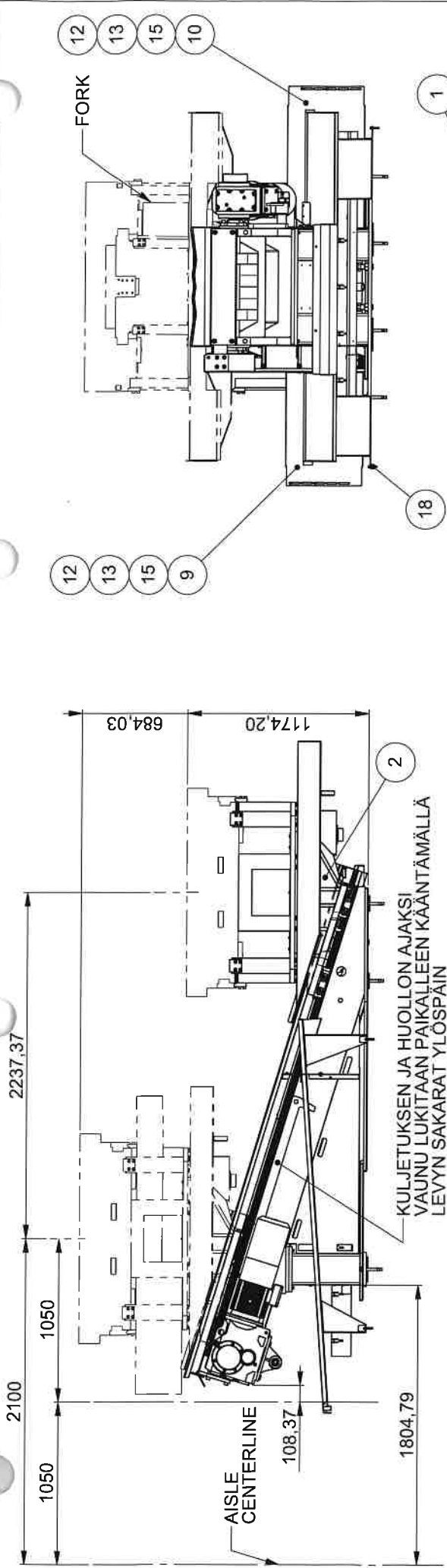


I (1 : 20)

ÉQUIPEMENT DE COULOIR
AISLE INSTALLATION
ATTREZZ. CORRIDOIO
GANGINSTALLATION
GANGINSTALLATION

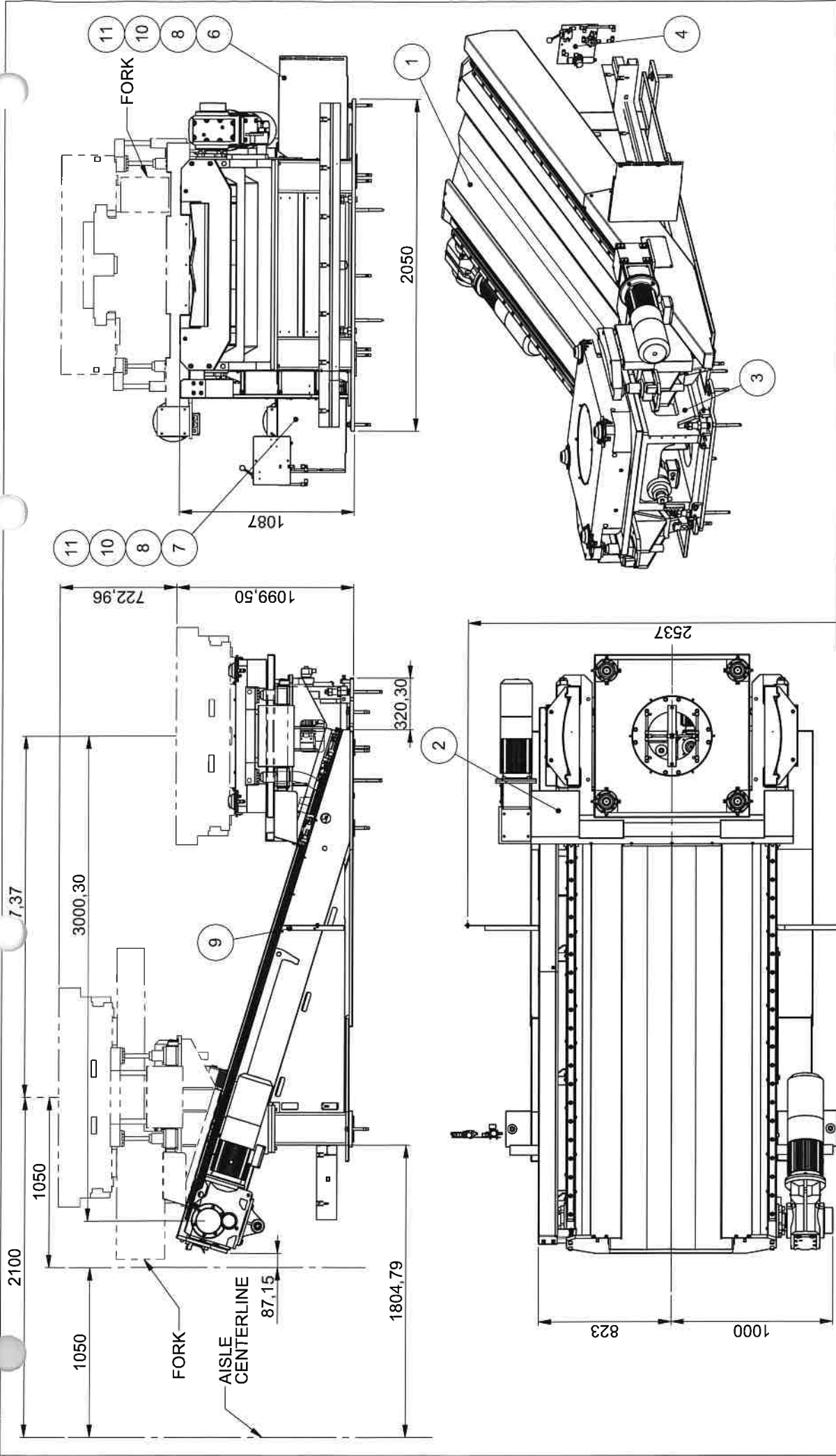
MATERIAL	Fastems	TOLERANCES/VEIKERÄTOLERANSSIT MACHINED PARTS/VALUETOLERANSSIT WELDED SEFS-EN ISO 13920-B	SURFACES NOT STATED
		DESIGNED 2006-08-17 JOKELA	SCALE 1:125
MODEL	DESCRIPTION	WEIGHT	REV
2006-08-17 JOKELA E	KÄYTTÄVÄVARUSTUS R-R PROPULSION	3833,97kg	-
DRAWING NO.			SHEET 2 / 2
			FM16612

REVISION	REVISION DESCRIPTION	CHECKED
DESIGNED		



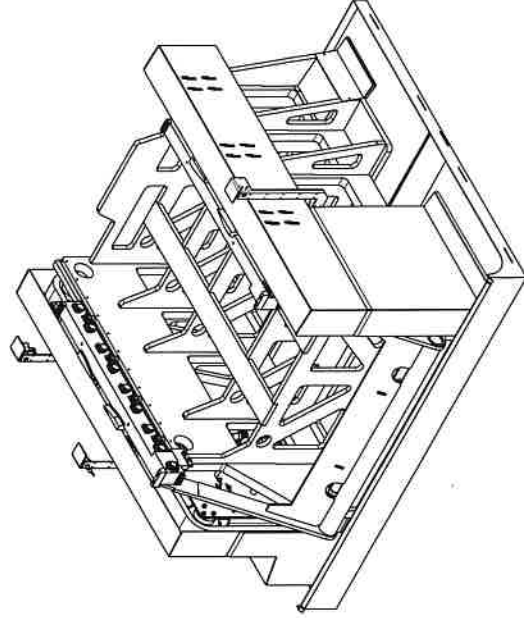
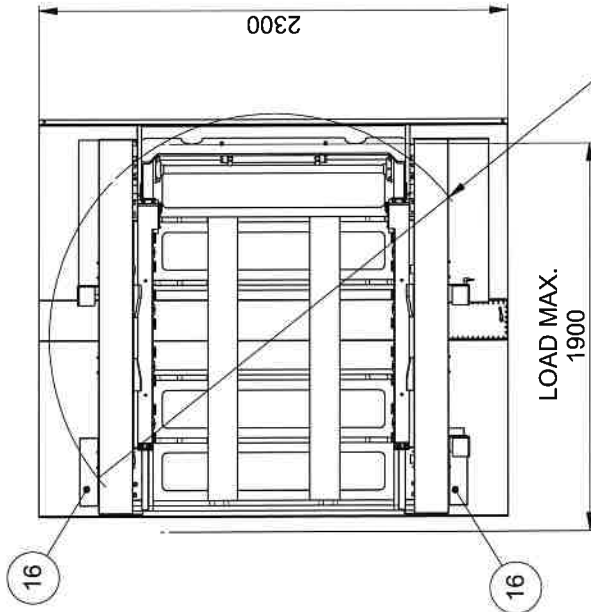
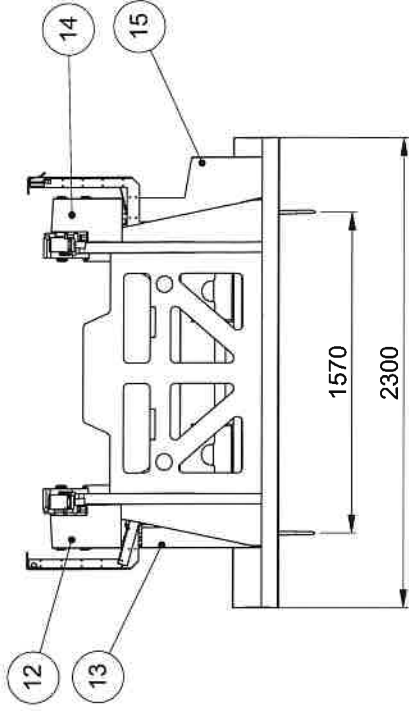
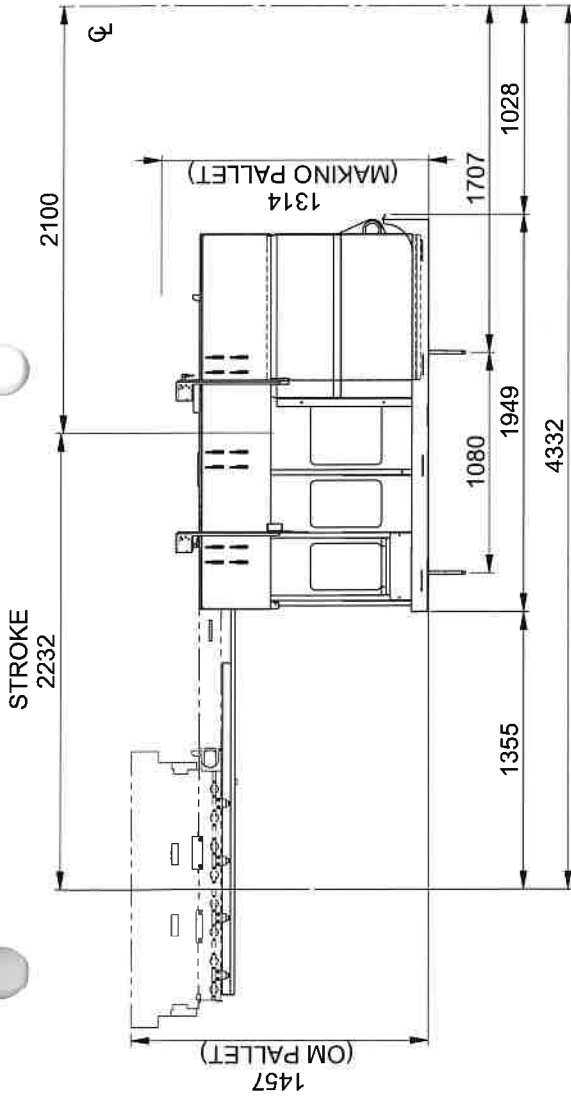
MATERIAL	Fastems	TOILEBANKES OY RISTIPOLSKANSITT MACHINED - DIN 7754 - MIDDLE WELDED - SFA-EN ISO 2504-B WELD QUALITY LEVEL HTS/SA/UD/OKMA/EN 2817, G	SURFACES NOT STATED
		DESIGNED 2006-07-18 KANSANEN P	SCALE 1:25
MODEL FM13394	DESCRIPTION LSL-HD R-R PROPULSION	CHECKED 2006-07-18 KANSANEN P	BELONGS TO FM25083
			WEIGHT 3265,96
			DRAWING NO. FM13394
			SHEET 1/1
			REV A

A	LIS. RITILÄT JA KIINNITYSTARV.	KANSANEN	2006-11-09	KANSANEN	2006-11-09
	REVISION/REVISION DESCRIPTION		DESIGNED		CHECKED



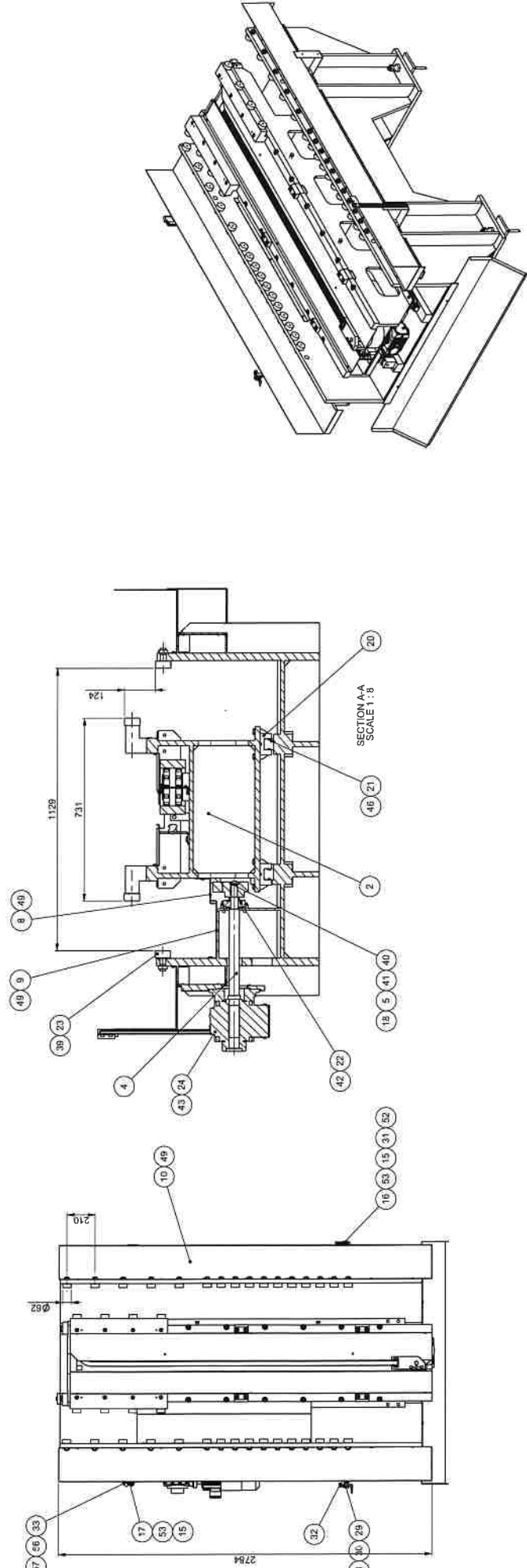
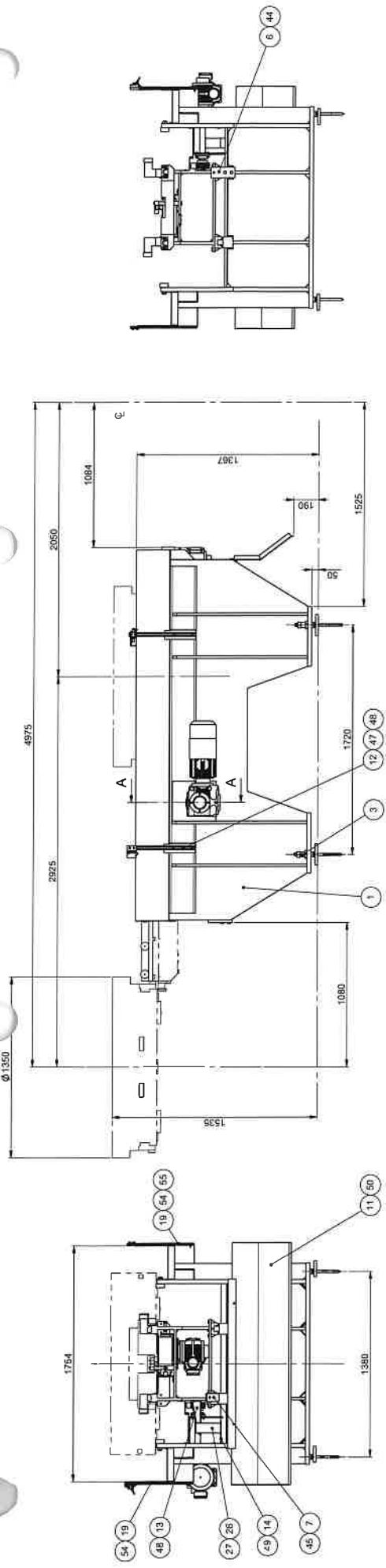
MATERIAL	Fastems	TO BE FINISHED IN BEST POSSIBLE MANNER MACHINED - DIN 7181 - MIDDLE WELDED - SFS-EN ISO 13920-5 WELD QUALITY LEVEL: H15 / SAU / LUDIGES / EN 28817, C DESIGNED	SURFACES NOT STATED
		2006-06-01 KANSANEN P	SCALE 1:22
MODEL FM13393	LSL-HD R-R PROPULSION	2006-06-01 KANSANEN P	BELONGS TO FM25083
DESCRIPTION		CHECKED 2006-06-01 KANSANEN P	WEIGHT 2632,75
		DRAWING NO.	SHEET 1/1
		REV	
		FM13393	

DESIGNED	CHECKED
REVISION	REVISION DESCRIPTION

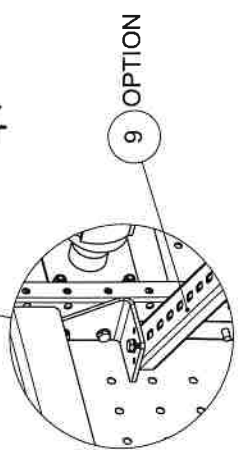
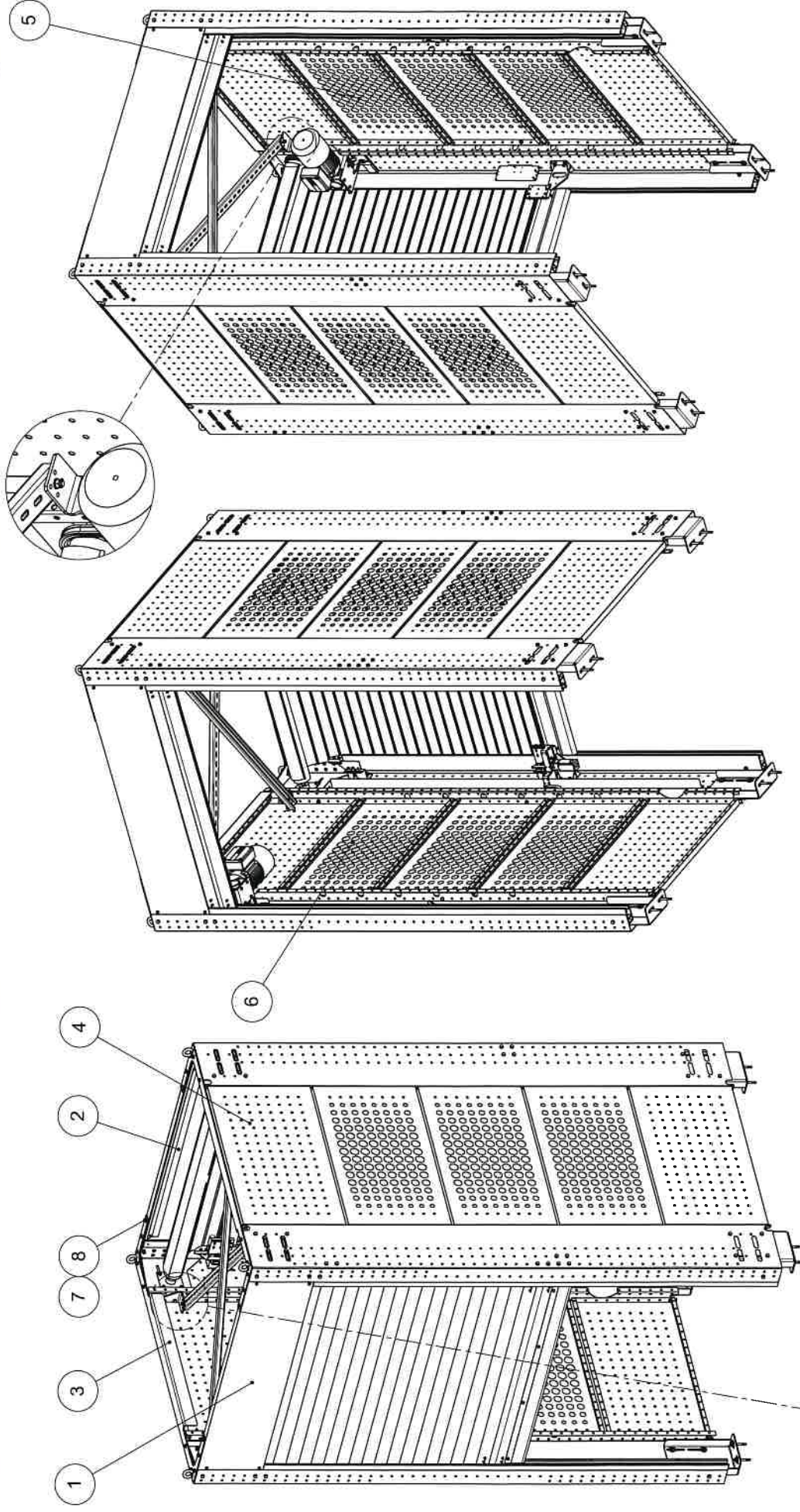


MATERIAL	Fastems	TO BRACES-YLIS-TOLEERANSIT MACHINED DIN 7184 MIDDLE WELDED SFS-EN ISO 13820-B TILKUTAMAT / KÄYTTÖSUUNNITTELOKKA EN 28817 C DESIGNED	SURFACES NOT STATED
		2006-06-13 PYYKKÖ S	BELONGS TO A3
MODEL	FM14935	CHECKED	SCALE 1:25
DESCRIPTION	VÄLIPÖYTÄ IT MAKINO MCD1816	2006-06-14 SUTINEN R	WEIGHT 2973,56
			CF
			DRAWING NO. FM14935
			SHEET 1/2
			REV A

REVISION	DESCRIPTION	DESIGNED	CHECKED
A	LISÄTTY TUUKIOSIA	PYYKKÖ S 2006-10-26	PYYKKÖ S 2006-10-20



Fastems VALIPOYTTÄ IT OM 70MS		KÄYTTÖKÄSIKIRJA 2006-05-22 SUUTINEN 2006-05-22 NUIJTINEN H		KÄYTTÖKÄSIKIRJA 2006-05-22 NUIJTINEN H 1:10,01	AI 1:10,01
FM14936 FM14936		FM14936 FM14936		FM14936 FM14936	FM14936 FM14936



9 OPTION

MATERIAL	Fastems	TOLERANCES: NIESTOLERANSIGT MACHINED: DIN 7168 MIDDLE WELDED: EN ISO 13920-B DESIGNED: LEVELHÄTTISÄBLI LUKKAKALU 2817 C	SURFACES NOT STATED	SCALE 1:18	BELONGS TO A3
		DESIGNED: 2006-04-06 VARTIAINEN T	CF		
MODEL	FM14669	CHECKED: 2006-04-06 NIEMI J	WEIGHT 344,02	DRAWING NO. FM14669	REV B
DESCRIPTION	SUOJAOVI PDD				SHEET 2/2

B STRUCTURE UPDATED
 REVISION / REVISION DESCRIPTION
 VARTIAINEN T2006-11-02 VARTIAINEN T2006-11-02
 DESIGNED / CHECKED